

Driver: _____

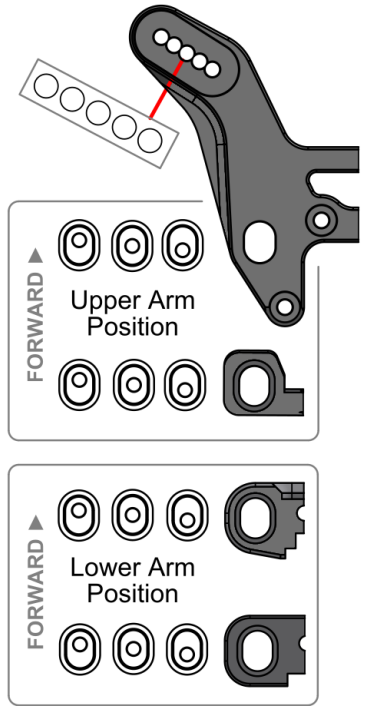
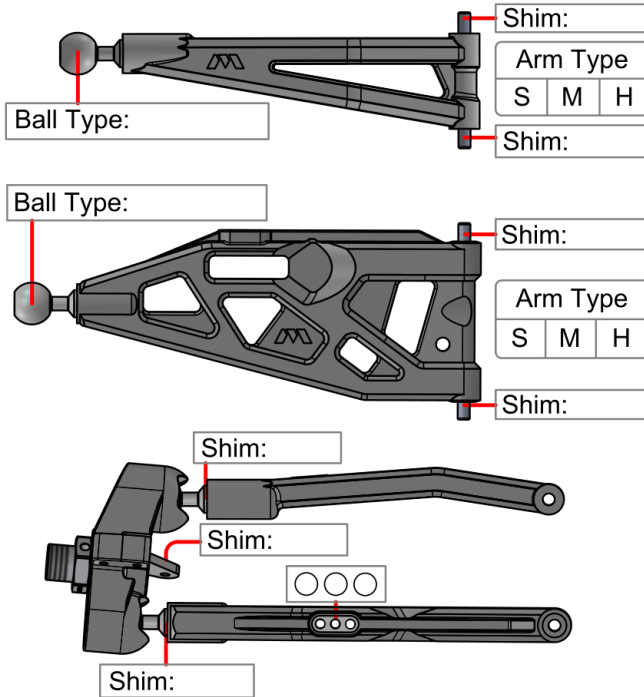
Track: _____

Date: _____

Event: _____

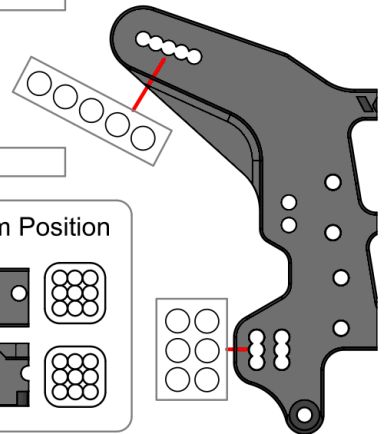
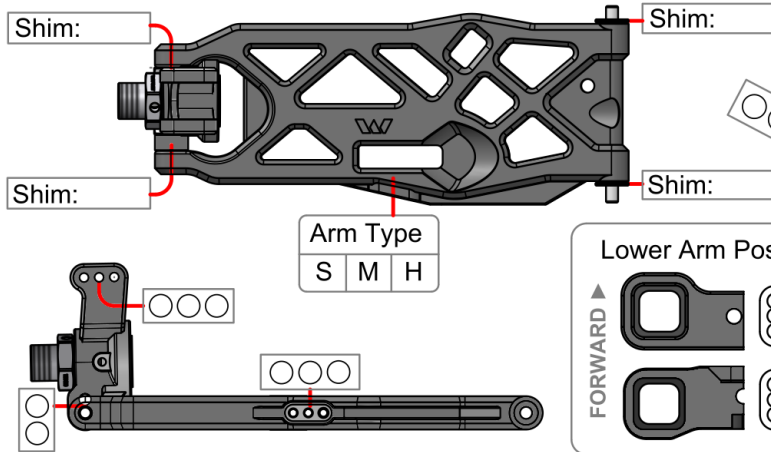
FRONT

Ride Height:
Camber:
Toe:
Anti-Roll Bar
Size:
Gap:
Ackerman
Drive Shaft:
Chassis Brace:
Hex:



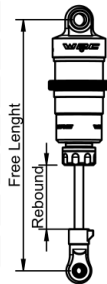
REAR

Ride Height:
Camber:
Toe:
Anti-Roll Bar
Size:
Gap:
Drive Shaft:
Chassis Brace:
Hex:



SHOCKS

	Front	Rear
Piston:		
Membrane:		
Oil:		
Spring:		
Rebound:		
Free Length:		



DIFFERENTIAL

	Front	Center	Rear
Case Mat.:			
Oil:			
Crown Gear:			
Clutch Belt:		Spur Gear	
Shoe:		Spring	

GEARING

TYRES

	Front	Rear
Brand:		
Pattern:		
Insert:		
Wheels:		
Compound:		

ENGINE

Type:
Muffler:
Manifold:
Plug:
Fuel:

BODY & WING

Body:
Wing:
Wing Height:
Gap to tower:

TRACK

Size :
Traction:
Surface:
Type:

Total Vehicle Weight: _____